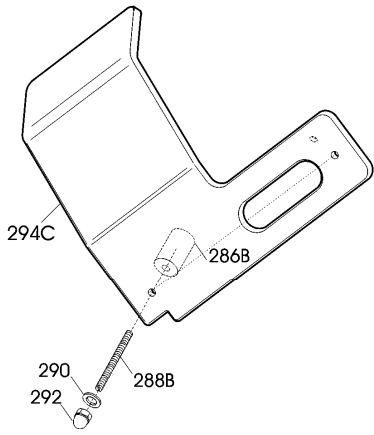
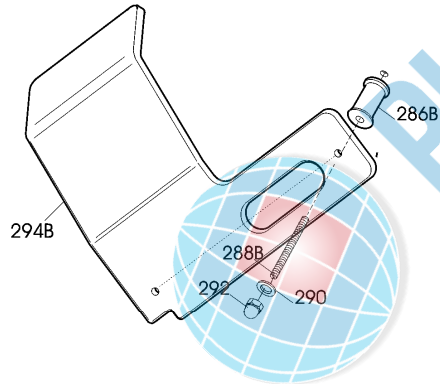


LEGENDA / LEGEND

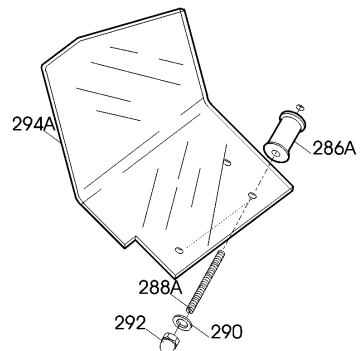
A Plastica nera / Black plastic
 B Plastica blu / Blue plastic
 C Plastica rossa / Red plastic
 D Plastica grigia / Grey plastic
 E Alluminio / Aluminium
 F Alluminio blu / Blue aluminium
 G Alluminio rosso / Red aluminium



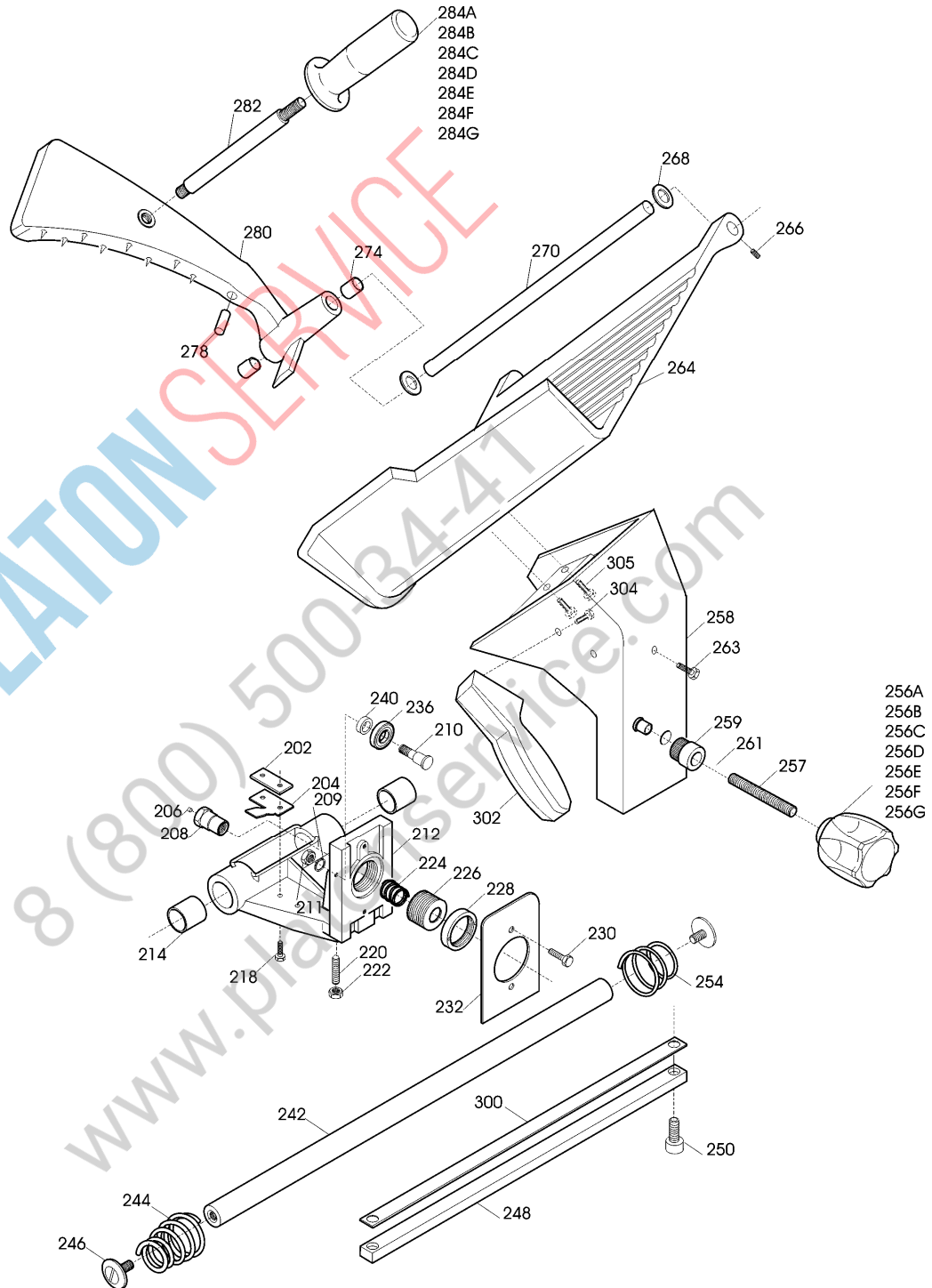
Interasse fori / distance between the holes: 248,5 mm

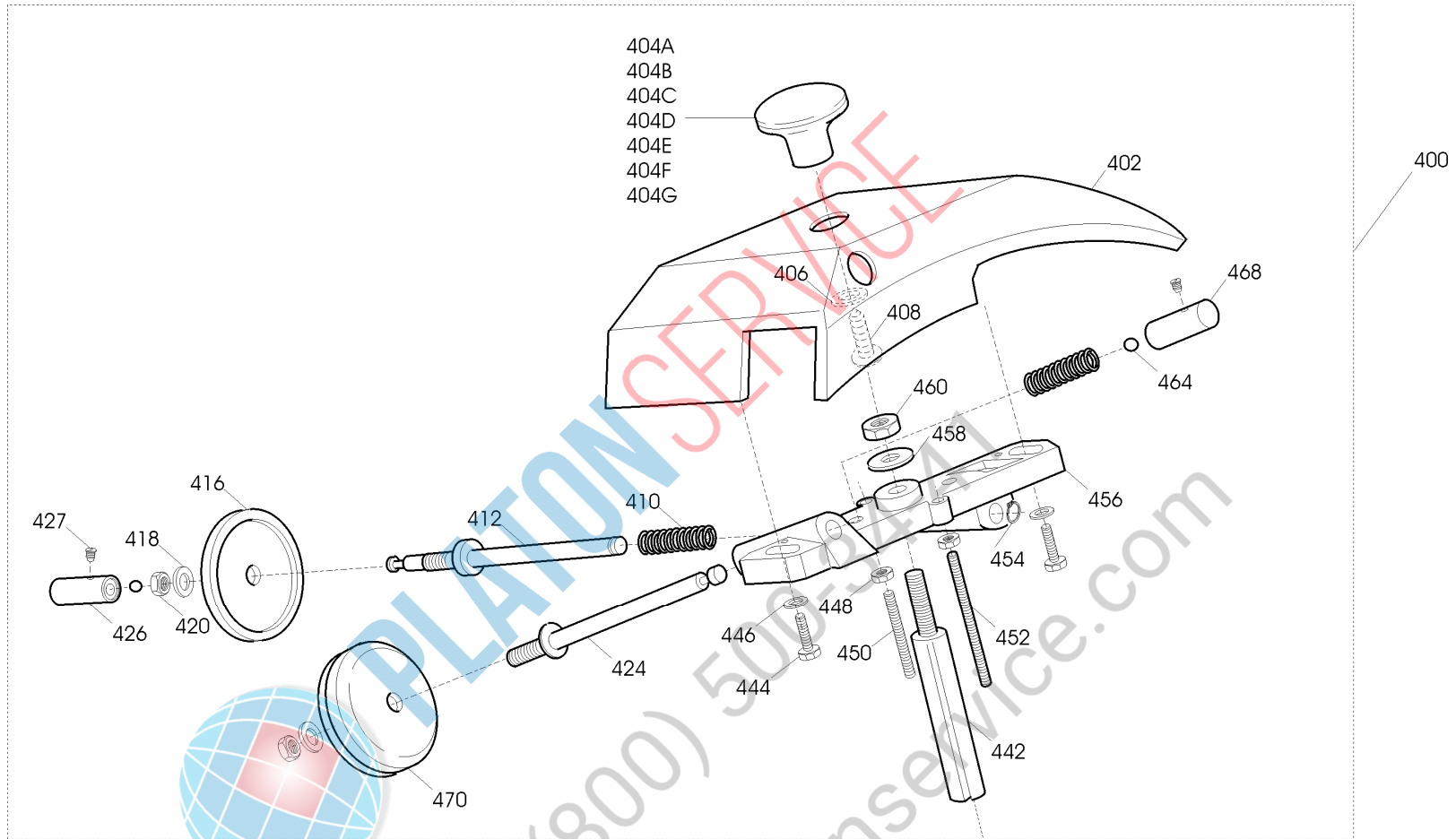


Interasse fori / distance between the holes: 190 mm



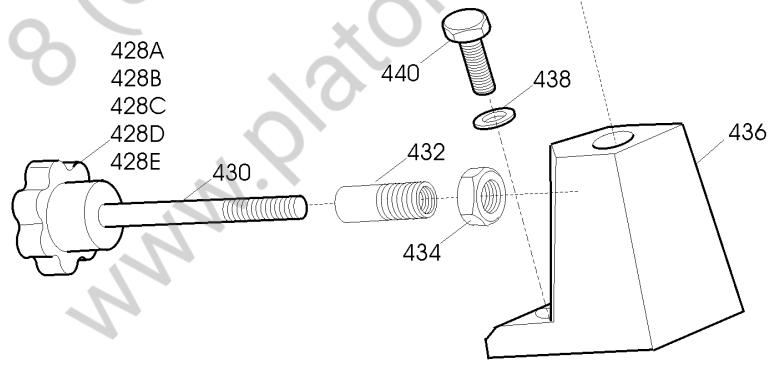
Interasse fori / distance between the holes: 87 mm

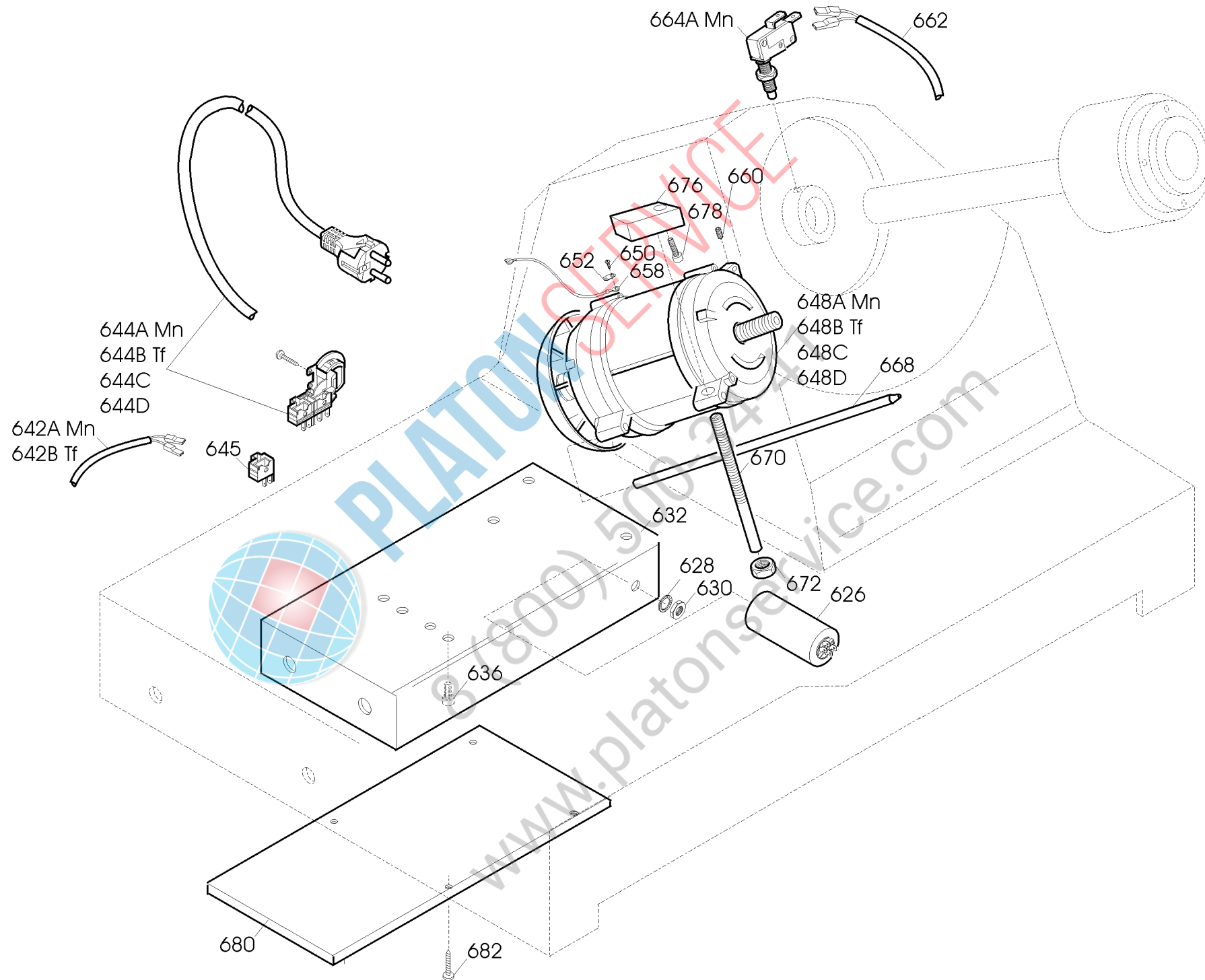


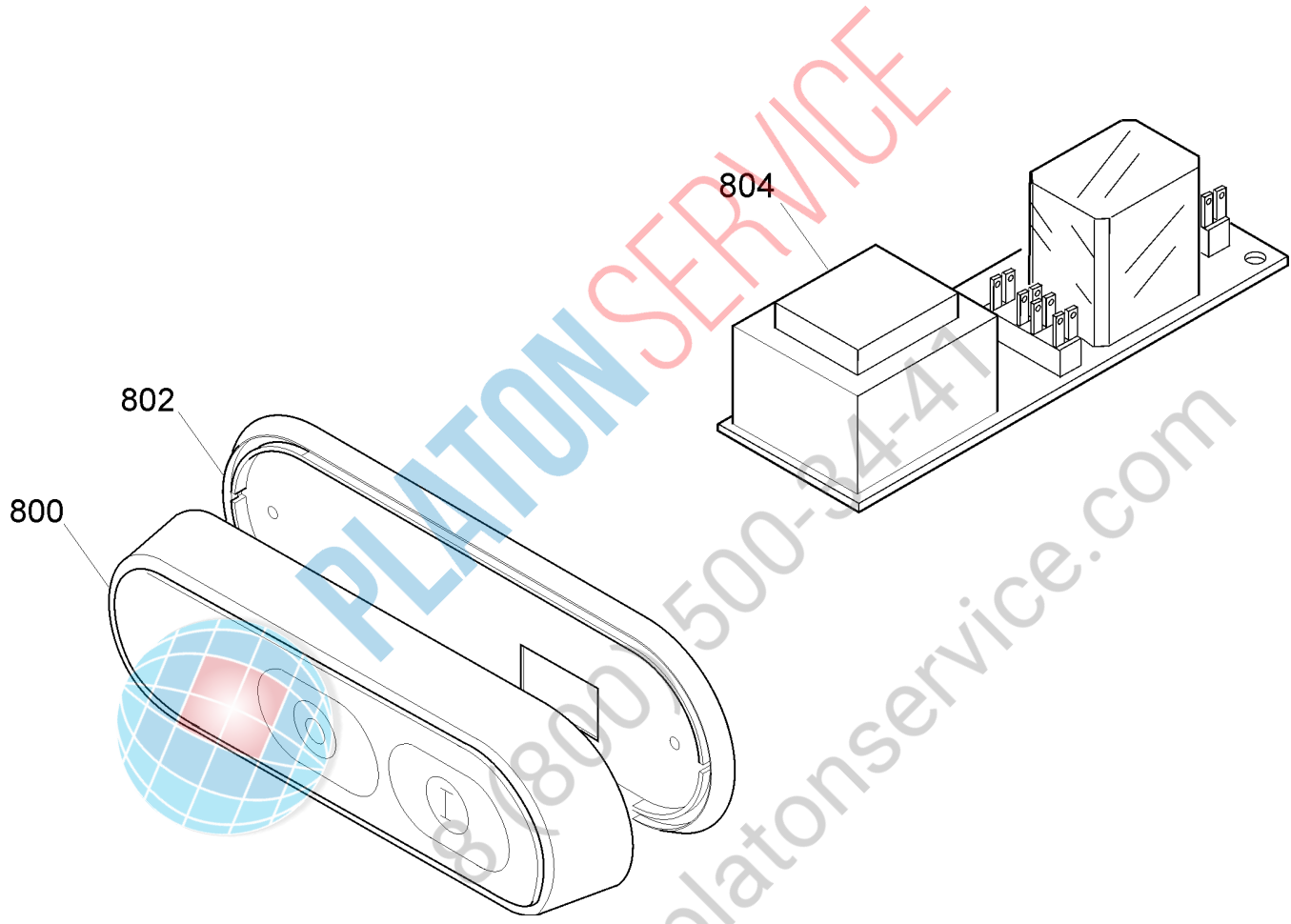


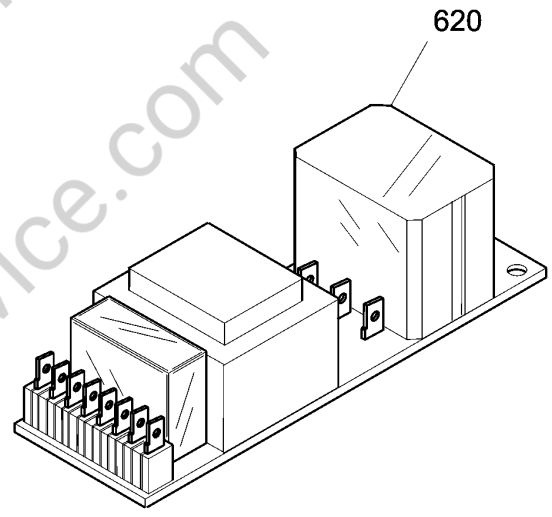
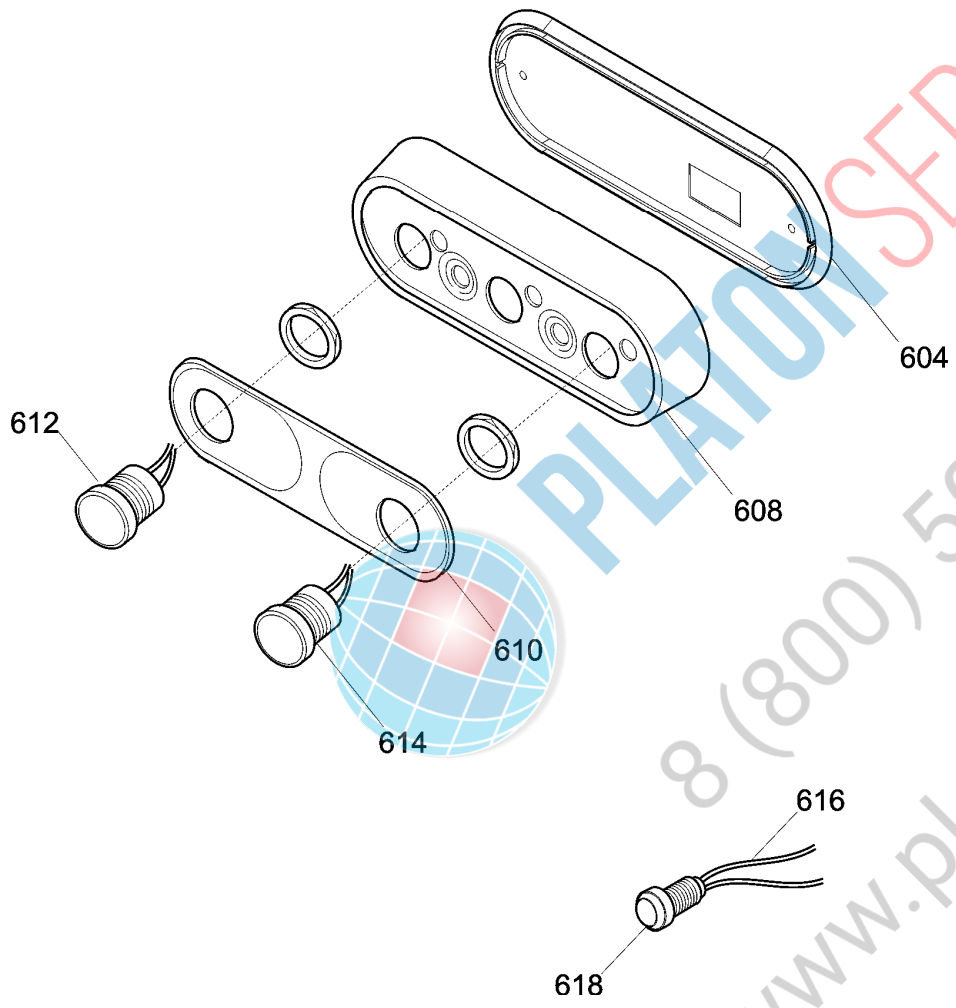
LEGENDA / LEGEND

A	Plastica nera / Black plastic
B	Plastica blu / Blue plastic
C	Plastica rossa / Red plastic
D	Plastica grigia / Grey plastic
E	Alluminio / Aluminium
F	Alluminio blu / Blue aluminium
G	Alluminio rosso / Red aluminium

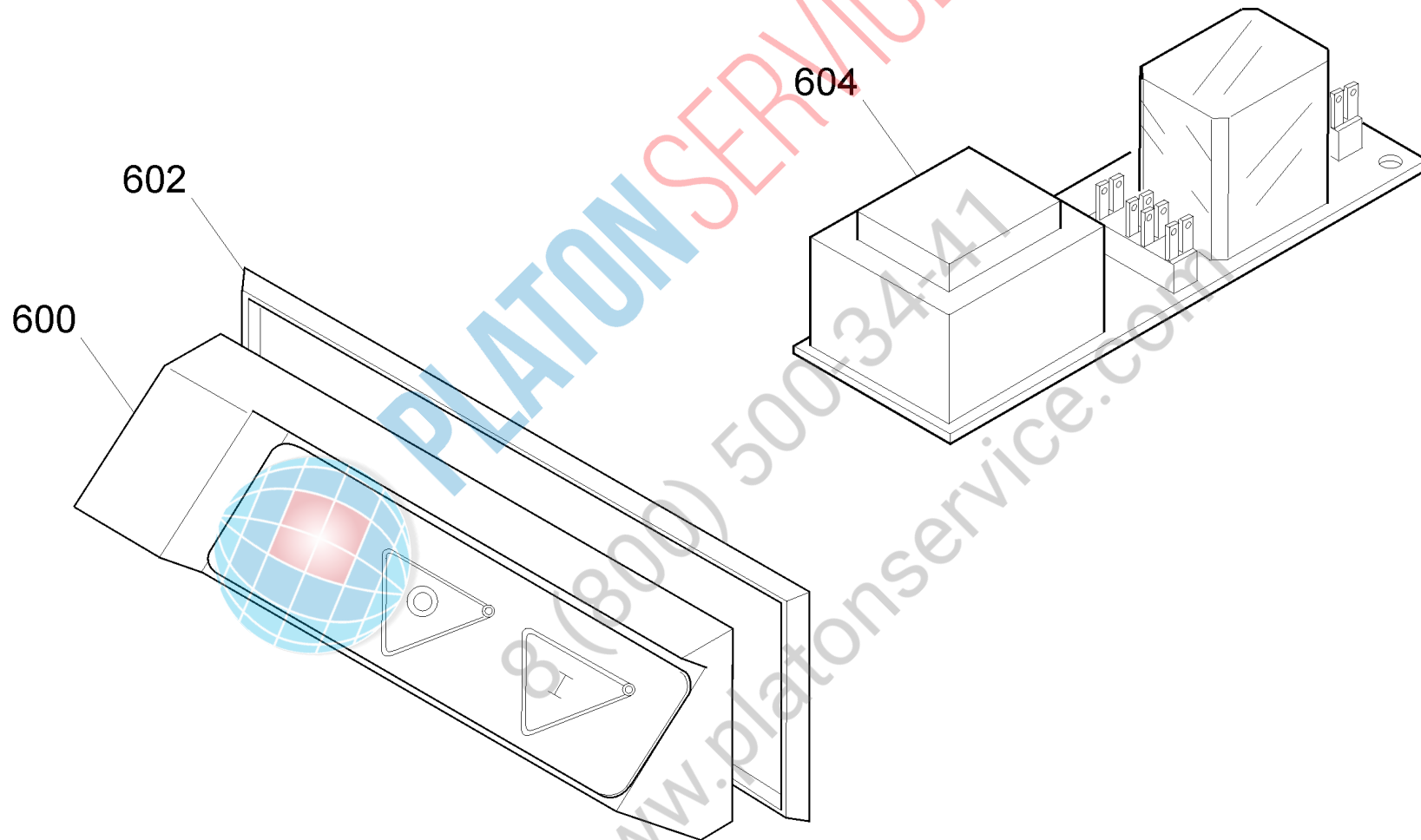








PLATON SERVICE
8 (800) 500-34-47
www.platonservice.com



Nr. Elektronischer Schalter : *Elektronischer Schalter 1/3*
Name Elektronischer Schalter : *Elektronischer Schalter GEMMA 300 CE TAV. UNICA*

Ref.	Produktname	Artikel-Nr
800C	SWITCH COVER WHITE	19702022
800B	PUSH-BUTTON PANEL BLUE	19702021
800A	ELEKTRON. SCHALTER FUER AUFSCH.	19702004
802	GUMMI FUER EIN/AUS SCHALTER	19563034
804B	CIRCUIT BOARD 220-380 3-PHASE	19411008
804A	ELEKTRONIC-PLATINE 220V FUR AUFSCH.	19411007

Nr. Elektronischer Schalter : *Elektronischer Schalter 2/3*
Name Elektronischer Schalter : *Elektronischer Schalter GEMMA 300 CE TAV. UNICA*

Ref.	Produktname	Artikel-Nr
-	CORPO PUL.NEUTRA IT MONTATA NO GUAR	19702036
604	GUMMI FUER EIN/AUS SCHALTER	19563034
608	PUSH BUTTONS BOX	19563118
610	LABEL _ PUSH BUTTON PANEL OPERAIT	19420164
612	BLACK PUSH BUTTON N.O.	19410140
614	WHITE PUSH BUTTON N.O.	19410142
616	WIRING - PILOT LAMP	19410750
618	KONTROLLAMPE 220-380 V	19410406
620A	PRINTED CIRCUIT BOARD 230-110 V	19411102
620B	PRINTED CIRCUIT BOARD 400 V	19411103

Nr. Zeichnung : *Zeichnung 1/4*
Name Zeichnung : *GEMMA 300 CE TAV. 1/4*

Ref.	Produktname	Artikel-Nr
02	FRAME FOR SLICER GEMMA 300-330	19510107
04A	FUSS M8 _ AUFSCHN.275-370	19560202
04B	ALUMINIUM FOOT FOR SLICER 300-330	19560252
08	KNOPF FUER MESSERSCHUTZ	19021110
14	LOCK NUT 250-330	19530905
16T	MESSER 300-57/4/254 22,5 TEFLON CE	183005742542TF
16D	LAMA 300 - 57/4/254 DENTATA F.ESTR.	18300574254DF
16	MESSER 300 -57/4/254 CE	18300574254F
18B	BLADE RIM GUARD 300	19513407
18A	AN.PR.LAMA SG300 FINO AL 98	19513007.96
18/7A	DIST.ALL ANELLO 12 X 15.5 GR 330	19521738
18/1A	DIST.ALL ANELLO 16 X 20 GR 330	19521736
18/3A	PIASTRINA SUPPORTO ANELLO 330 SG	19531908
21	SHIELD FOR PULLEY FOR SLICER 300	19562125
22B	PULEG.PIAT.MONT. SG300 UK	197003074
24	RIEMEN TB2 380X10	19310207
28	MICROSWITCH HOLDER RING FOR SLICER	19540905
32	BLADE GUARD TIE ROD_SLICER 300-330	19530507
34E	TIE ROD KNOB LEONARDO	19522610
34F	KNOPF 34B	19522612
34G	MAN. TIR.PARALAM.ROS LNR	19522610R
34C	MANOPOLA TIR. PAR.M8 5 LOB ROSSO	19564007
34D	TIE ROD KNOB M8 - GREY	19564023
34B	BLADE GUARD TIE ROD KNOB M8 _ BLUE	19564013
34A	GRIFF MESSERSCHUTZ SCHRAUBE	19562504
36	SCRAPER FOR SLICER	19531030
38	SCREW M5 FOR SLICER	19335014
40	GUARD SG 300 CE	195103E07C
42	FAT GUARD FOR SLICER 250-300	19520105
42A	PIASTR.RINF.SUP.VELA G.300-330	19520115
42B	PIASTRINA ZINC.REG. VELA TG 300-330	19540640
46	COP.SUP.VELA 300-330 TG OSSIDATO	19512207
48	Thickness gauge cover gasket_SLICER	19563038
52	VITE ZIGR.M6X20 COP. VELA 300 370	19335015
54	SQUARE STUD TQ 8X38 FOR SLICER 350	19335007
56	RONDELLA X VELA 300-330 SVASAT	19346009
58B	SUP.VELA 300-330 ESTR OSSIDATO	195107E07
58A	SUP.VELA GMM SG DAL 98 F.AL 00	19510707.98
58	GAUGE PLATE SUPPORT F.SLICER U.1998	19510707
62	LARGE WASHER	19563002
64	THICKNESS PLATE SLIDE 300-330	19500107
65	MOVEMENT HEAD D8.5XHT2 FOR SLICER	19563201
66	TABLE SLIDE GUIDE FR SLICER 300-370	19540609
72	Movement bearing screw FOR SLICER	19335040
74	BUSH FOR SLICER 19*22*20	19324005
78	Gauge movement spring FOR SLICER	19390205

80	TABLE SLIDE PIN FOR SLICER	19530705
90	Movement needle FOR GRAVITY SLICER	19336066
92	INDEX CAM FOR SLICER 300-330	19563510
96	CORRUGATED WASHER 19	19342006
97	LUBRICATION TUBE FOR SLICER 300-330	19553007
100	WASHER FOR TABLE ADJUSTMENT	19562410
102E	THICKNESS ADJUSTING KNOB LNR300-330	19522605
102F	MAN. NUM. BLU LNR 350-385	19522604
102G	MAN. NUM. ROS LNR 300-330	19522605R
102C	MANOPOLA NUMERATA ROSSA GH30	19564003
102A	GRIFF FUER AUFSCH.	19562404
104	BOTTOM COVER FOR SLICER 300-330	19531607
120	MESSERABZIEHER FUER 300	19702508
140	OEL-FLAESCHCHEN FUER AUFSCHNITTM.	19563008

Nr. Elektronischer Schalter : *Elektronischer Schalter 3/4*

Name Elektronischer Schalter : *Elektronischer Schalter GEMMA 300 CE TAV.UNICA*

Ref.	Produktname	Artikel-Nr
600	SCHALTER MIT FOLIENASTATUR GROSS	19702002
602	DICHTUNG EIN U.AUS-SCHALTER GROSS	19563032
604B	CIRCUIT BOARD 220-380 3-PHASE	19411008
604A	ELEKTRONIC-PLATINE 220V FUR AUFSCH.	19411007

Nr. Zeichnung : *Zeichnung 2/4*

Name Zeichnung : *GEMMA 300 CE TAV. 2/4*

Ref.	Produktname	Artikel-Nr
202	PLATE FOR SLICER	19533200
204	PIAST. SGANCIO CARR. 300-330 CE	19533212
206	DRUCKSTUECK ABWURF 300/385 CE	19565001
208	CARRIAGE RELEASE PIN FOR SLICER	19534035
210	BEARING ROD FOR SLICER 250-330	19540805
212	SCHIEBESCHLITTENFUEHRUNG	19500517
214	BUCHSE	19324106
220	STUD BOLT 6X25 FOR SLICER	19337002
224	CARRIAGE RELEASE SPRING FOR SLICER	19390601
226	RELEASE BUSHING FOR SLICER 300-330	19534025
228	LOCKRING(EXT THREADING)FOR SLICER	19534030
232	CARRIAGE PLATE FOR SLICER 300-330	19533007
236	BEARING FOR SLICER 6000 2RS R11	19320154
240	SPACE WASHER	19346015
242	CARRIAGE ROUND BAR 22X495_SLICER	19530607
244	SPRING_ROUND RAIL_SLICER 300-330 CE	19390117
246	ROUND BAR CHROME SCREW 26	19335002
248	SQUARE RAIL FOR SLICER 300-330	19540107
254	Round bar spring FOR SLICER 300-330	19390107
256E	CARRIAGE LOCKING KNOB FOR LEONARDO	19522615
256D	GREY KNOB LEG M10	19564022
256A	STEM LOCKING KNOB M10X6L CE	19562802
256C	MANOP.BLOCCA GAMBO ROSSA M10X6L CE	19564000
256B	SHANK LOCKING KNOB M10_ BLUE	19564011
257	STUD BOLT FOR SLICER M10	19336038
258	STEM 300-330 CE	19510617
259	S/S BUSHING_ 300/PALLADIO	19534020
261	BUSHING FOR SLICER 300-370 CE	19534016
264	MEAT BED FOR SLICER	19510422
268	RUBBER BUFFER D.12 FROM 2001	19560103
270	PRODUCT PUSHER ROD SLICER 300-330	19530407
274	BUSHES 12.14.12 FOR SLICER FRM 2001	19324102
276	BACK PUSHER BUFFER	19563211
278	MEAT PRESS BUFFER D8.5XH36	19563206
280	PRODUCT PUSHER FOR SLICER 300-330	19510922
282	MEAT PRESS SPACER D14X121	19541509
284D	GREY KNOB MEATPRESS	19564021
284E	PRODUCT PUSHER HANDLE LEONARDO	19522645
284B	MEAT PRESS HANDLE - BLUE	19564012
284C	MANOPOLA A VOLANO PRESSAM ROSSA CE	19564009
284A	KNOPF FUER RESTEHALTER AUFSCH.CE	19562904
286B	ABSTANDSHALTER	19521609
286A	HAND GUARD SPACER D.20X31MM_SLICER	19521603
288B	GEWINDEBOLZEN M6X62_AUFSCH.330-370	19336004
288A	STUD BOLT M5X47_HAND GUARD_SLICER	19336006
290	UNTERLEGSCHIEBE 6 X 24	19340165
292	SECHSKANT-HUTMUTTER M 06	19362008
294A	HANDSCHUTZ FUER A-Q-M 275-300	19562324
294C	HANDSCHUTZ 300-370	19562336
294B	HANDSCHUTZ GTA 330-350	19562335
300	HARDENED PLATE FOR SLICER 300-330	19530807

Nr. Zeichnung : *Zeichnung 3/4*
 Name Zeichnung : *GEMMA 300 CE TAV. 3/4*

Ref.	Produktname	Artikel-Nr
400	MESSERSCHLEIFER QUARZO/MIRRA 300CE	SM21005007
402	SHARPENER HOUSING _ SLICER 300 CE	19511207C
404E	SHARPENER ALU KNOB _ LEONARDO/PALLA	19522652
404F	SHARPENER ALU BLUE KNOB LNR/PLD	19522653
404C	MANOP.CAPPOTT.ROSS.M6 6LOBI	19564005
404D	MANOPOLA CAPP. M6 6 LOB GRIGIA	19564026
404B	BLU KNOB M8 6 LOB	19564015
404A	SHARPENER HOUSING KNOB	19562702
410	SHARPENER SPRING _ SLICER 250-300	19390303
412	DEBURRING ROD _ SLICER 250-300	19540703
416	SCHLEIFSTEIN FEINE KORNUNG	19300207
424	SHARPENING ROD _ SLICER 250-300	19540704
426	DEBURRING BUTTON _ SLICER 250-300	19550203
427	*VITE PULS.AFF.220-385->19335025	19335026
428A	FESTSTELLSCHRAUBE FUER AUFSCH.	19562602
428B	BLU KNOB M8 6 LOB	19564015
428D	KNOB M8 6LOB GREY	19564024
428C	MANOPOLA PRIG.AFF.M8 6 LOB ROSSO	19564008
430	KNEBEL FUER AUFSCH.	19336010
432	STUD BOLT BUSHING	19541502
436	SHARPENER SUPPORT 300	19511107
442	Milled sharpener holder FOR SLICER	19540406
450	STUD BOLT M5 X 30	19336003
456	CORPO AFF. 300 CE LAVORATO	19500207C
468	DEBURRING BUTTON _ SLICER 250-300	19550203
470	SHARPENING STONE D.43 H.12 F.6 CE	19300107N

Nr. Zeichnung : *Zeichnung 4/4*
 Name Zeichnung : *GEMMA 300 CE TAV. 4/4*

Ref.	Produktname	Artikel-Nr
626	CAPACITOR FOR SLICER 10UF	19410307
632	Relay box	19563111
642A	CAVET.ALIM PULS-PA 205 AFF MN	19410718
642B	CAVET.ALIM PULS-PA 205 AFF TF	19410719
644D	CAVO ALIM.COMP. MN AUSTALIA PA 205	19410538
644E	CAVO ALIM.COMP. MN GIAPPONE PA 205	19410540
644C	UK POWER CORD 1PH PA205	19410534
644A	POWER CORD SUKO PA 205	19410530
644B	POWER CORD 3PH	19410536
645	MODULO PER PA 205/X AFF. TRIFASE	19410802
648D	MOTOR 230/60/1	194001076
648B	MOTORE 300 TF C.PIATTA 380-50	19400407
648C	MOTOR 115/60 UL APPR. FOR SLICER	194005072
662	MICROSWITCH WIRING F.SLICER 300-370	19410703
664A	ENDSCHALTER FUER AUFSCHNITTMASCHINE	19410201
664B	MICRO INTERRUETTORE TRIFASE	19410202
668	MOTOR PIN FOR SLICER 300-330	19540507
670	MOTOR TIE ROD STUD BOLT M8 F.SLICER	19336022
676	Motor tie rod block FOR SLICER	19540305
680	Relay cover	19563112